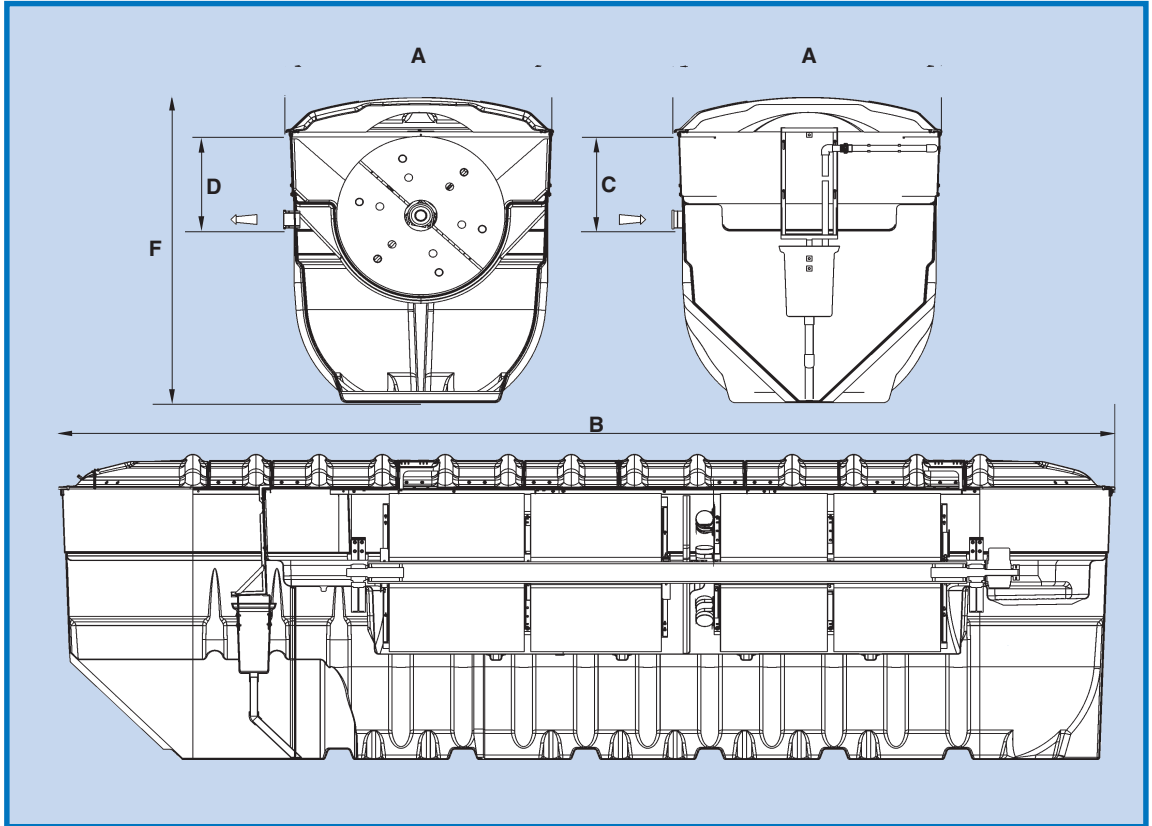




NuDisc™ 0450 - 2000 Range

Carbonaceous, Nitrification and Nutrient Removing Range

The most advanced and reliable single piece packaged wastewater treatment system with NuDisc™ nutrient removing technology including many features to ease operation and maintenance built-in as standard features for all Models.



		KEE NuDisc™ Range										
		0450	0550	0650	0800	0975	1200	1400	1600	1800	2000	
NuDisc™	Width - A	mm	2537	2537	2537	2537	2537	2537	2537	2537	2537	
	Length - B	mm	5265	5865	6765	7055	7980	9165	10094	10366	11859	
	Inlet Invert Depth - C	mm	905	905	905	905	905	905	905	905	905	
	Outlet Invert Depth - D	mm	1045	1045	1045	1045	1045	1045	1045	1045	1045	
	Depth Below G. L. - E	mm	2670	2670	2670	2670	2670	2670	2670	2670	2670	
	Overall Height - F	mm	3097	3097	3097	3097	3097	3097	3097	3097	3097	3097
	Empty Weight (Approx)	kg	2500	2600	2800	3000	3700	4200	4700	5200	5700	6100
	Geared Motor Rating *	kW	0.12	0.12	0.18	0.18	0.18	0.37	0.37	0.37	0.37	0.55
	Sludge Return Pump Rating *	kW	1.2	1.2	1.2	1.2	1.2	1.2	1.2	1.2	1.2	1.2

* available in 60 and 50 cycle to suit

Note: Sludge Return Pump is operated intermittently for 1-2 minutes every hour through a timer control module.

Other technologies, systems and services offered by the KEE Group.

Wastewater Treatment Solutions

- **Rotating Biological Contactor (RBC) Wastewater Treatment Systems**
 - NuDisc® Single Piece Packaged RBC Treatment Plants
 - Modular Packaged RBC Treatment Systems
 - Large Diameter RBCs for site erection
- **Submerged Aerated Filters**
 - Single piece EnviroSAF Systems
 - Modular Packaged EnviroSAF Treatment Systems
 - Large EnviroSAF in on-site constructed concrete tanks
- **Activated Sludge Systems**
 - Extended Aeration
 - Sequencing Batch Reactors (SBR)
- **Anaerobic Reactor**
 - Industrial Wastewater Treatment
- **Settlement Tanks and Packaged Pumping Stations**
- **Custom made composite GRP covers and enclosures**

Treatment Plant Service

- **Service, Maintenance and Operations**
- **Replacement parts and associated products**



Authorized Agent, USA, Caribbean and Latin America

Waste Water Solutions International, Inc

3238 Old Fence Road
Ellicott City, Maryland 21042 USA

Phone: 410 / 480 - 0272
Fax: 410 / 480 - 0282
Email: wksi@attglobal.net



Experts in Domestic & Industrial Wastewater Treatment

KEE Process Limited, College Road North, Aston Clinton, Aylesbury, Buckinghamshire, HP22 5EZ UNITED KINGDOM
Tel: +44 (0)1296 634500 Fax: +44 (0)1296 634501 www.keeprocess.com